

LED Globe Lamp Series

Dimmable

Ultra High Efficiency

Wide Beam Angle

Optimized Thermal Management



Replacement for 40W and 60W Incandescent Light Bulbs



Key Specifications¹

| Model | Type | Input (VAC) | Base | Wattage | Beam Angle | Output Lumens | Efficacy | CRI ³ | CCT ⁴ |
|-----------|------|-------------|------|---------|------------|---------------|----------|------------------|------------------|
| AX-G60-AL | G60 | 110 | E26 | 6.1W | 180° | 595 lm | 98 lm/W | 80 | 3000K (warm) |
| AX-G70-AL | G70 | 110 | E26 | 7.8W | 180° | 730 lm | 94 lm/W | 80 | 3000K (warm) |

Features & Benefits

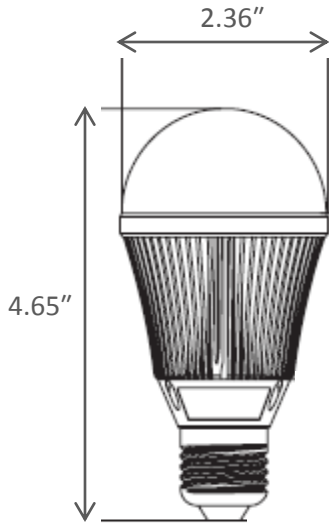
- Ideal replacement for traditional incandescent lamps with energy saving up to 85%
- Smooth dimming with standard triac dimmers
- Power Factor > 0.9
- Advanced thermal design
- No UV radiation or unwanted heat
- Mercury free and RoHS compliant
- Warranty 5 years (expected lifetime > 50,000hrs (L70))
- Industry compliance– UL/cUL, FCC, CE, Energy Star, Lighting Facts, LM 80 LEDs



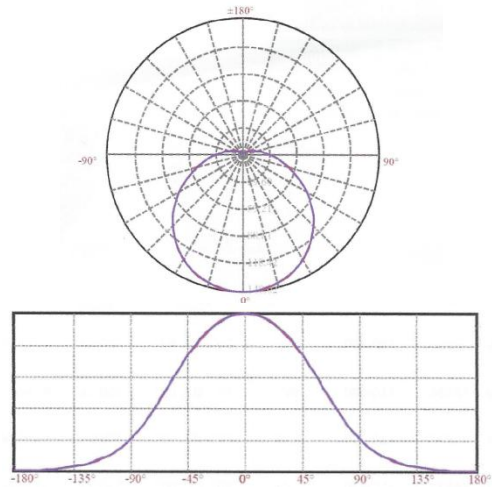
For more information, contact sales@axleninc.com

1. Due to our continuous improvement program, all specifications are subject to change and Axlen reserves the right of final interpretation.
 2. CRI is the color rendering index.
 3. CCT is the correlated color temperature.

G60

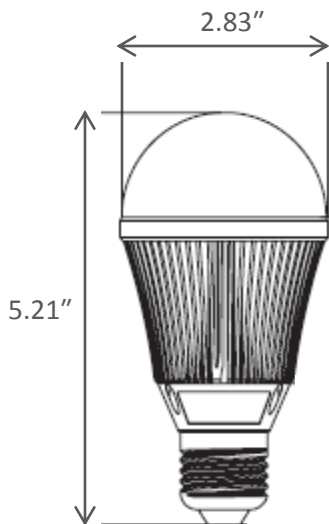


Mechanical Specifications

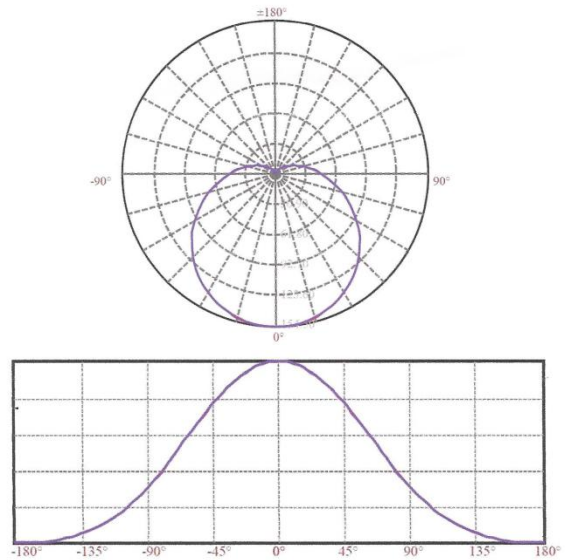


Lighting Distribution

G70



Mechanical Specifications



Lighting Distribution